

PREMIUM-GRADE ACCELEROMETERS TOP-MOUNT PREMIUM GRADE

ACC793
\$285



- ✓ Intrinsic Safety Certified Options
- ✓ Hermetic Design
- ✓ Ground Isolated
- ✓ ESD Protection
- ✓ Reverse Wiring Protection

The OMEGAROMETER™ Series accelerometers are designed for industrial vibration measurements. They feature a hermetically sealed 316L SS case suitable for harsh environments. The ACC793 is a high-performance model with a top cable exit. FM and CSA intrinsic safety approval is an available option.

SPECIFICATIONS

DYNAMIC

Sensitivity, ±5%, 25°C (77°F): 100 mV/g

Acceleration Range: 80 g peak

Amplitude Non-Linearity: 1%

Frequency Response:

±5%: 1.5 to 5000 Hz

±10%: 1.0 to 7000 Hz

±3 dB: 0.5 to 15,000 Hz

Resonance Frequency: 25 kHz

Transverse Sensitivity, Max:
5% of axial

Temperature Response:

-50°C (-58°F) = -10%

120°C (248°F) = 5%

ELECTRICAL

Power Requirement:

Voltage Source: 18 to 30 Vdc

Current Regulating Diode¹: 2 to 10 mA

Electrical Noise (Equiv. g, Nominal):

Broadband: 2.5 Hz to 25 kHz: 600 µg

Spectral: 10 Hz: 8 µg/√Hz

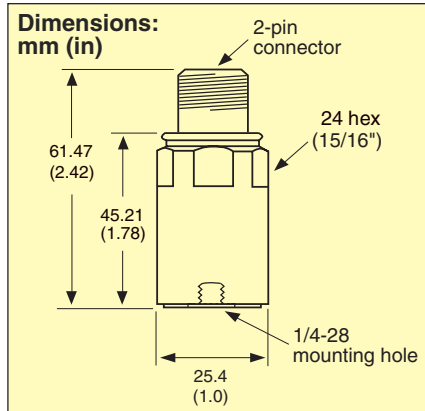
100 Hz: 5 µg/√Hz

1000 Hz: 5 µg/√Hz

Output Impedance, Max: 100 Ω

Bias Output Voltage: 12 Vdc

Grounding: Isolated case, internally shielded



ENVIRONMENTAL

Temperature Range: -50 to 120°C (-58 to 248°F)

Vibration Limit: 500 g peak

Base Strain Sensitivity, Max:
0.0005 g/microstrain

Sealing: Hermetic to 10⁻⁸ cc/s

PHYSICAL

Weight: 112 g (3.9 oz)

Case Material: 316L SS

Mounting: ¼-28 tapped hole

Output Connector:

2 pin, MIL-C-5015 style

Connections:

Pin A: Power/signal

Pin B: Common

Mating Connector:

Amphenol 97-3106A-10SL-4S type

Recommended Cabling:

ACC-CB7-10



ACC793, \$285, with ACC-CB7-10WP cable, \$90, shown smaller than actual size.



Agency Approvals:

FM: Class I, II, III, Division I, Groups A, B, C, D, E, F, G; Division II, Groups A, B, C, D, F, G

CSA: Class I, Division I, Groups A, B, C, D

NOTE:¹ A maximum current of 6 mA is recommended for operating temperatures above 100°C (212°F).

AVAILABLE FOR FAST DELIVERY!

To Order (Specify Model Number)

MODEL NO.	PRICE	DESCRIPTION
ACC793	\$285	Premium accelerometer with top exit connector
ACC793-FM	375	FM-certified intrinsically safe premium accelerometer with top exit cable
ACC793-CSA	375	CSA-certified intrinsically safe premium accelerometer with top exit cable

ACC793 includes mounting stud and calibration data. Specify cable separately; see Accessories.

ACCESSORIES

MODEL NO.	PRICE	DESCRIPTION
ACC-CB7-10	\$60	3.05 m (10') MIL/BNC twisted-pair shielded cable
ACC-CB7-10WP	90	3.05 m (10') waterproof twisted-pair shielded cable
ACC-B3	90	Magnetic mounting base for flat surfaces, 30 lbf
ACC-B5	125	Magnetic mounting base for curved surfaces, 30 lbf
ACC-PS2	530	Rechargeable power supply with built-in amplifier
ACC-PS3	525	115 Vac power supply

Ordering Example: ACC793 + ACC-CB7-10 + ACC-B3 + ACC-PS2, typical accelerometer system, \$285 + 60 + 90 + 530 = \$965.

Recommended Reference Book: Analog Signal Processing, EE-2560, \$180. See Section Y for Additional Books



omega.co.uk[®]

Your One-Stop Source for Process Measurement and Control!

Freephone 0800 488 488 | International +44(0) 161 777 6622 | Fax +44(0) 161 777 6622 | Sales@omega.co.uk

www.omega.co.uk



UNITED STATES

www.omega.com

1-800-TC-OMEGA
Stamford, CT.

UNITED KINGDOM

www.omega.co.uk

Manchester, England
0800-488-488
+44-(0)161-777-6611

CANADA

www.omega.ca

Laval(Quebec)
1-800-TC-OMEGA

FRANCE

www.omega.fr

0800-466-342

GERMANY

www.omega.de

Deckenfronn, Germany
0800-8266342

BENELUX

www.omega.nl

0800-099-33-44



More than 100,000 Products Available!

• Temperature

Calibrators, Connectors, General Test and Measurement Instruments, Handheld Instruments for Temperature Measurement, Ice Point References, Indicating Labels, Crayons, Cements and Lacquers, Infrared Temperature Measurement Instruments, Recorders, Relative Humidity Measurement Instruments, PT100 Probes, PT100 Elements, Temperature & Process Meters, Timers and Counters, Temperature and Process Controllers and Power Switching Devices, Thermistor Elements, Probes and Assemblies, Thermocouples, Thermowells and Head and Well Assemblies, Transmitters, Thermocouple Wire, RTD Probes

• Flow and Level

Air Velocity Indicators, Doppler Flowmeters, Level Measurement, Magnetic Flowmeters, Mass Flowmeters, Pitot Tubes, Pumps, Rotameters, Turbine and Paddle Wheel Flowmeters, Ultrasonic Flowmeters, Valves, Variable Area Flowmeters, Vortex Shedding Flowmeters

• pH and Conductivity

Conductivity Instrumentation, Dissolved Oxygen Instrumentation, Environmental Instrumentation, pH Electrodes and Instruments, Water and Soil Analysis Instrumentation

• Data Acquisition

Communication Products and Converters, Data Acquisition and Analysis Software, Data Loggers Plug-in Cards, Signal Conditioners, USB, RS232, RS485, Ethernet and Parallel Port Data Acquisition Systems, Wireless Transmitters and Receivers

• Pressure, Strain and Force

Displacement Transducers, Dynamic Measurement Force Sensors, Instrumentation for Pressure and Strain Measurements, Load Cells, Pressure Gauges, Pressure Reference Section, Pressure Switches, Pressure Transducers, Proximity Transducers, Regulators, Pressure Transmitters, Strain Gauges, Torque Transducers, Valves

• Heaters

Band Heaters, Cartridge Heaters, Circulation Heaters, Comfort Heaters, Controllers, Meters and Switching Devices, Flexible Heaters, General Test and Measurement Instruments, Heater Hook-up Wire, Heating Cable Systems, Immersion Heaters, Process Air and Duct, Heaters, Radiant Heaters, Strip Heaters, Tubular Heaters