

PREMIUM LOW-PROFILE ACCELEROMETERS

ACC797
\$315



- Rugged, General Purpose
- Corrosion Resistant
- ESD Protection
- Reverse Wiring Protection
- Intrinsic Safety Certified Options

The OMEGAROMETER™ Series accelerometers are designed for industrial vibration measurements. They feature a hermetically sealed 316L SS case suitable for harsh environments. The ACC797 is a high-performance model with a side cable exit. FM and CSA intrinsic safety approval is an available option.

SPECIFICATIONS

DYNAMIC

Sensitivity, ±5%, 25°C (77°F): 100 mV/g

Acceleration Range¹: 50 g peak

Amplitude Non-Linearity: 1%

Frequency Response:

±5%: 3 to 5000 Hz

±10%: 2 to 7000 Hz

±3 dB: 1 to 12,000 Hz

Resonance Frequency: 26 kHz

Transverse Sensitivity, Max:

5% of axial

ELECTRICAL

Power Requirement:

Voltage Source: 18 to 30 Vdc

Current Regulating Diode^{1,2}: 2 to 10 mA

Electrical Noise, Equiv. g:

Broadband: 2.5 Hz to 25 kHz: 600 µg

Spectral: 10 Hz: 8 µg/√Hz

100 Hz: 5 µg/√Hz

1000 Hz: 5 µg/√Hz

Output Impedance, Max: 100 Ω

Bias Output Voltage: 12 Vdc

Grounding: Isolated case, internally shielded

ENVIRONMENTAL

Temperature Range: -50 to 120°C (-58 to 248°F)

Vibration Limit: 500 g peak

Shock Limit: 5000 g peak

Electromagnetic Sensitivity, Equiv. g: 30 µg/gauss

Base Strain Sensitivity:

0.002 g/microstrain

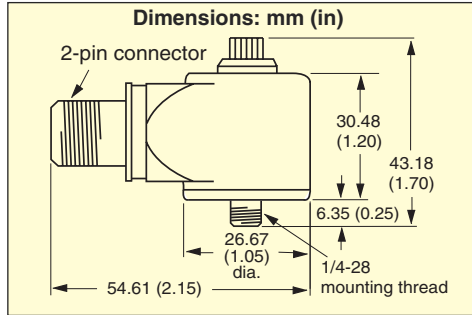
PHYSICAL

Weight: 135 g (4.8 oz)

Case Material: 316L SS

Mounting: ¼-28 screw

Output Connector: 2 pin, MIL-C-5015 style



Connections:

Pin A: Power/signal

Pin B: Common

Mating Connector:

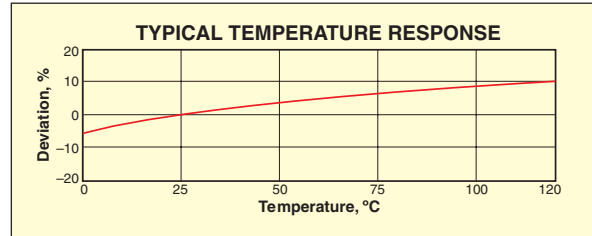
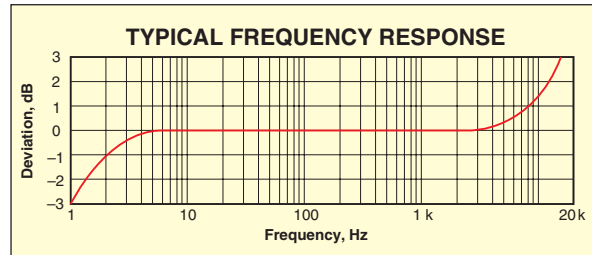
Amphenol 97-3106A-10SL-4S type

Recommended Cabling: ACC-CB7-10

Agency Approvals:

FM: Class I, II, III, Division I, Groups A, B, C, D, E, F, G; Division II, Groups A, B, C, D, F, G
CSA: Class I, Division I, Groups A, B, C, D

NOTES: ¹ To minimize signal distortion when driving long cables with high-vibration signals, 24 to 30 Vdc powering is recommended. The higher-level constant current source should be used when driving long cables; please consult Sales. ² A maximum current of 6 mA is recommended for operating temperatures above 100°C (212°F).



AVAILABLE FOR FAST DELIVERY!

To Order (Specify Model Number)

MODEL NO.	PRICE	DESCRIPTION
ACC797	\$315	Premium accelerometer with side exit connector
ACC797-FM	375	FM-certified intrinsically safe premium accelerometer with side exit cable
ACC797-CSA	375	CSA-certified intrinsically safe premium accelerometer with side exit cable

ACC797 includes captive mounting screw and calibration data. Specify cable separately; see Accessories.

ACCESSORIES

MODEL NO.	PRICE	DESCRIPTION
ACC-CB7-10	\$60	3.05 m (10') MIL/BNC twisted-pair shielded cable
ACC-CB7-10WP	90	3.05 m (10') waterproof twisted-pair shielded cable
ACC-B3	90	Magnetic mounting base for flat surfaces, 30 lbf
ACC-B5	125	Magnetic mounting base for curved surfaces, 30 lbf
ACC-PS2	530	Rechargeable power supply with built-in amplifier
ACC-PS3	475	115 Vac power supply

* Add suffix "-230" for 230 Vac power supply, no extra charge.

Ordering Example: ACC797 + ACC-CB7-10 + ACC-B3 + ACC-PS2, typical accelerometer system, \$315 + 60 + 90 + 530 = \$995.

DYNAMIC MEASUREMENT

K

omega.co.uk®

Your One-Stop Source for Process Measurement and Control!

Freephone 0800 488 488 | International +44(0) 161 777 6622 | Fax +44(0) 161 777 6622 | Sales@omega.co.uk

www.omega.co.uk



UNITED STATES

www.omega.com

1-800-TC-OMEGA
Stamford, CT.

UNITED KINGDOM

www.omega.co.uk

Manchester, England
0800-488-488
+44-(0)161-777-6611

CANADA

www.omega.ca

Laval(Quebec)
1-800-TC-OMEGA

FRANCE

www.omega.fr

0800-466-342

GERMANY

www.omega.de

Deckenfronn, Germany
0800-8266342

BENELUX

www.omega.nl

0800-099-33-44



More than 100,000 Products Available!

• Temperature

Calibrators, Connectors, General Test and Measurement Instruments, Handheld Instruments for Temperature Measurement, Ice Point References, Indicating Labels, Crayons, Cements and Lacquers, Infrared Temperature Measurement Instruments, Recorders, Relative Humidity Measurement Instruments, PT100 Probes, PT100 Elements, Temperature & Process Meters, Timers and Counters, Temperature and Process Controllers and Power Switching Devices, Thermistor Elements, Probes and Assemblies, Thermocouples, Thermowells and Head and Well Assemblies, Transmitters, Thermocouple Wire, RTD Probes

• Flow and Level

Air Velocity Indicators, Doppler Flowmeters, Level Measurement, Magnetic Flowmeters, Mass Flowmeters, Pitot Tubes, Pumps, Rotameters, Turbine and Paddle Wheel Flowmeters, Ultrasonic Flowmeters, Valves, Variable Area Flowmeters, Vortex Shedding Flowmeters

• pH and Conductivity

Conductivity Instrumentation, Dissolved Oxygen Instrumentation, Environmental Instrumentation, pH Electrodes and Instruments, Water and Soil Analysis Instrumentation

• Data Acquisition

Communication Products and Converters, Data Acquisition and Analysis Software, Data Loggers Plug-in Cards, Signal Conditioners, USB, RS232, RS485, Ethernet and Parallel Port Data Acquisition Systems, Wireless Transmitters and Receivers

• Pressure, Strain and Force

Displacement Transducers, Dynamic Measurement Force Sensors, Instrumentation for Pressure and Strain Measurements, Load Cells, Pressure Gauges, Pressure Reference Section, Pressure Switches, Pressure Transducers, Proximity Transducers, Regulators, Pressure Transmitters, Strain Gauges, Torque Transducers, Valves

• Heaters

Band Heaters, Cartridge Heaters, Circulation Heaters, Comfort Heaters, Controllers, Meters and Switching Devices, Flexible Heaters, General Test and Measurement Instruments, Heater Hook-up Wire, Heating Cable Systems, Immersion Heaters, Process Air and Duct, Heaters, Radiant Heaters, Strip Heaters, Tubular Heaters