

# OMEGA<sup>®</sup> COMMERCIAL PANEL GAUGES TYPE P

- ✓ Durable and Accurate Design
- ✓ U-Clamp Mount
- ✓ 2½" Dials
- ✓ For Use in a Wide Variety of Applications

Panel  
Mount  
Gauge

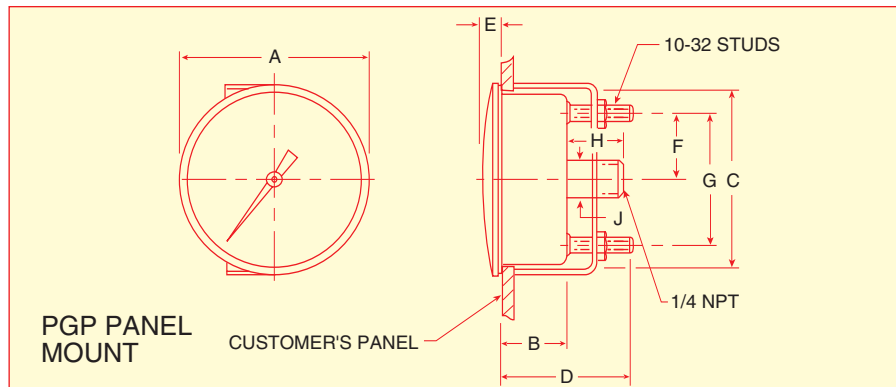
**\$36**



OMEGA<sup>®</sup> Panel Gauges, with a U-clamp mounting design, are durable and feature long term life and stability. The attractive black steel case gauges are designed for use in numerous panel gauge applications.

# OMEGA® COMMERCIAL PANEL GAUGES

## HOW TO ORDER PANEL MOUNT GAUGES



Dimensions in mm (inches)

DIAL SIZE	A	B	C	D	E	F	G	H	J
63.5 (2½)	73 (2¾)	25 (1)	68 (2⅞)	51 (2)	7 (⅞)	25 (1)	51 (2)	22 (⅞)	14 sq (⅞) sq

### SPECIFICATIONS

**Case:** Painted Steel  
**Window:** Polycarbonate Plastic  
**Bourdon Tube:** Bronze  
**Connection:** Back  
**Fitting:** ¼" NPT Brass  
**Dial Size:** 2½"  
**Mounting:** "U" Bracket  
**Ranges:** Vacuum thru 400 psi  
**Accuracy:** 3-2-3%  
 3% first 10%, 2% middle 80%, 3 last 10%  
**Temperature:** 66°C (150°F) max

OMEGA® Panel Gauges utilize a U-clamp mounting design. The attractive black painted steel case gauges are designed for use on instrument panels, air conditioning equipment, air and gas dryers, machine tools, air compressors, pressure test stands, and a wide variety of other panel gauge applications. The movement in the panel gauges is the unique OMEGA® Spring Suspended Movement. The entire movement is suspended between two springs, with the Bourdon tube above and the link below. Wearing parts have been reduced to a minimum.

Furthermore, these movement parts are ultrasonically cleaned and

lubricated with silicone oil to ensure long cycle life. The OMEGA® Spring Suspended Movement is resistant to the effects of shock, pulsation, and vibration, thus contributing to longer gauge life.

**Warning:** All gauge components should be chosen with an eye to the media and ambient operating conditions to which they will be subjected, to prevent misapplication. Improper application can be detrimental to the gauge, cause failure, and possible personal injury or property damage.

### **MOST POPULAR MODELS HIGHLIGHTED!**

RANGE CODE	RANGE
30V/30	30 in Hg Vac to 30 psi
30V	30/0 in Hg Vac
15	0/15 psi
30	0/30 psi
60	0/60 psi
100	0/100 psi
160	0/160 psi
200	0/200 psi
300	0/300 psi
400	0/400 psi

DIAL SIZE	MODEL NO.	CONNECTION	PRICE
2½"	PGP-25B-[*]	Back	\$36

\*Insert Range Code from table above.

**Ordering Example:** PGP-25B-100, pressure gauge, commercial panel type, U-clamp mount, 2½" dial, back connection, 0/100 psi range. Price, \$36.

# omega.co.uk<sup>®</sup>

Your One-Stop Source for Process Measurement and Control!

Freephone 0800 488 488 | International +44(0) 161 777 6622 | Fax +44(0) 161 777 6622 | Sales@omega.co.uk

[www.omega.co.uk](http://www.omega.co.uk)



#### UNITED STATES

[www.omega.com](http://www.omega.com)

1-800-TC-OMEGA  
Stamford, CT.

#### UNITED KINGDOM

[www.omega.co.uk](http://www.omega.co.uk)

Manchester, England  
0800-488-488  
+44-(0)161-777-6611

#### CANADA

[www.omega.ca](http://www.omega.ca)

Laval(Quebec)  
1-800-TC-OMEGA

#### FRANCE

[www.omega.fr](http://www.omega.fr)

0800-466-342

#### GERMANY

[www.omega.de](http://www.omega.de)

Deckenfronn, Germany  
0800-8266342

#### BENELUX

[www.omega.nl](http://www.omega.nl)

0800-099-33-44



## More than 100,000 Products Available!

### • Temperature

Calibrators, Connectors, General Test and Measurement Instruments, Handheld Instruments for Temperature Measurement, Ice Point References, Indicating Labels, Crayons, Cements and Lacquers, Infrared Temperature Measurement Instruments, Recorders, Relative Humidity Measurement Instruments, PT100 Probes, PT100 Elements, Temperature & Process Meters, Timers and Counters, Temperature and Process Controllers and Power Switching Devices, Thermistor Elements, Probes and Assemblies, Thermocouples, Thermowells and Head and Well Assemblies, Transmitters, Thermocouple Wire, RTD Probes

### • Flow and Level

Air Velocity Indicators, Doppler Flowmeters, Level Measurement, Magnetic Flowmeters, Mass Flowmeters, Pitot Tubes, Pumps, Rotameters, Turbine and Paddle Wheel Flowmeters, Ultrasonic Flowmeters, Valves, Variable Area Flowmeters, Vortex Shedding Flowmeters

### • pH and Conductivity

Conductivity Instrumentation, Dissolved Oxygen Instrumentation, Environmental Instrumentation, pH Electrodes and Instruments, Water and Soil Analysis Instrumentation

### • Data Acquisition

Communication Products and Converters, Data Acquisition and Analysis Software, Data Loggers Plug-in Cards, Signal Conditioners, USB, RS232, RS485, Ethernet and Parallel Port Data Acquisition Systems, Wireless Transmitters and Receivers

### • Pressure, Strain and Force

Displacement Transducers, Dynamic Measurement Force Sensors, Instrumentation for Pressure and Strain Measurements, Load Cells, Pressure Gauges, Pressure Reference Section, Pressure Switches, Pressure Transducers, Proximity Transducers, Regulators, Pressure Transmitters, Strain Gauges, Torque Transducers, Valves

### • Heaters

Band Heaters, Cartridge Heaters, Circulation Heaters, Comfort Heaters, Controllers, Meters and Switching Devices, Flexible Heaters, General Test and Measurement Instruments, Heater Hook-up Wire, Heating Cable Systems, Immersion Heaters, Process Air and Duct, Heaters, Radiant Heaters, Strip Heaters, Tubular Heaters